



## OWNER'S MANUAL

**PW100**  
**Powerwind Hose Reel**  
**100' Hose Capacity**

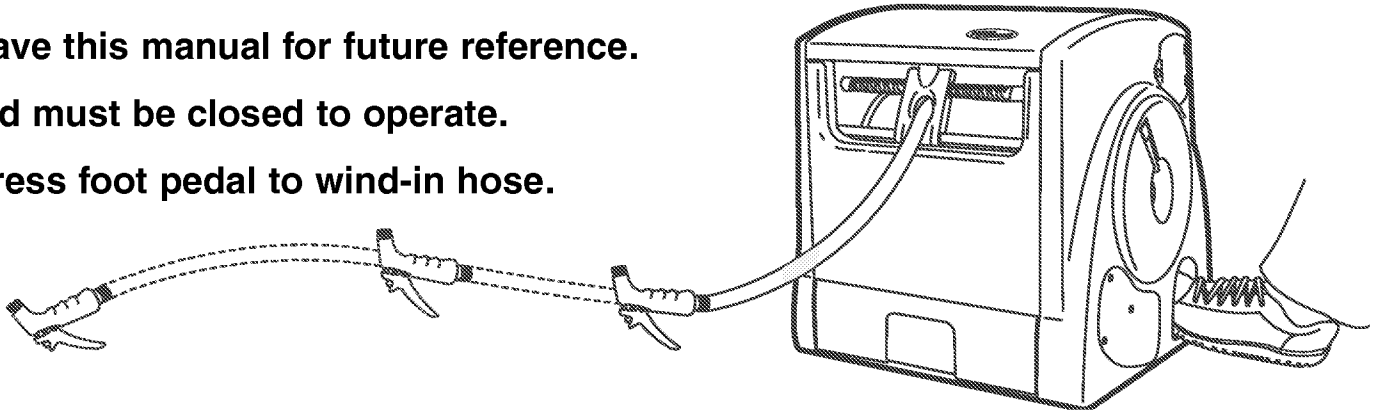
Phillips Head Screwdriver Required

**STOP: If you have questions or problems with this hose reel, call 1-800-444-3310. DO NOT RETURN TO STORE.**

**Save this manual for future reference.**

**Lid must be closed to operate.**

**Press foot pedal to wind-in hose.**



### KEY INFORMATION YOU SHOULD KNOW BEFORE USING THIS PRODUCT

- Charge battery for 12 - 14 hours before using your hose reel.
- Read all instructions prior to use.

#### GENERAL SAFETY WARNINGS:

- Maintain Product with Care - Follow instructions for use and winter storage. Follow service suggestions for longer life.
- Check Damaged Parts - If you see that a part is broken or cracked, contact Suncast Corporation for a replacement part.
- This product is intended for storing garden hose.
- Not intended for commercial use.
- Not intended for use by children.
- Be careful not to let motor run if hose or hose-end accessory gets caught while rewinding.
- Bring hose-end to the reel to begin rewinding. This will improve the belt life and the number of rewinds per charge.
- Use foot on foot pedal to activate. Do not wedge something into the pedal unit to run the motor. Press foot pedal all the way down to wind in hose.
- Do not use in extreme temperatures.
- Wear shoes for operation. Do not attempt to operate barefoot.
- Keep hands away from moving parts.
- Close crank when winding hose via battery.
- Use only with provided power source.
- Do not stand or sit on unit.

Quality Control No.

 **WARNING:**


When using this product, basic safety precautions should always be followed to reduce risk of fire, electric shock and personal injury.

**TO REDUCE THE RISK OF INJURY:**

- Before any use, be sure everyone using this product reads and understands all safety instructions and other information contained in this manual.
- Save these instructions and review frequently


**IMPORTANT BATTERY SAFETY INSTRUCTIONS**

 **DANGER:** Do not store battery in an airtight container, as it may cause an explosion.

 **WARNING:** When using electric tools, basic safety precautions should always be followed to reduce the risk of fire, electric shock, and personal injury, including the following:

**PROPOSITION 65 WARNING:**

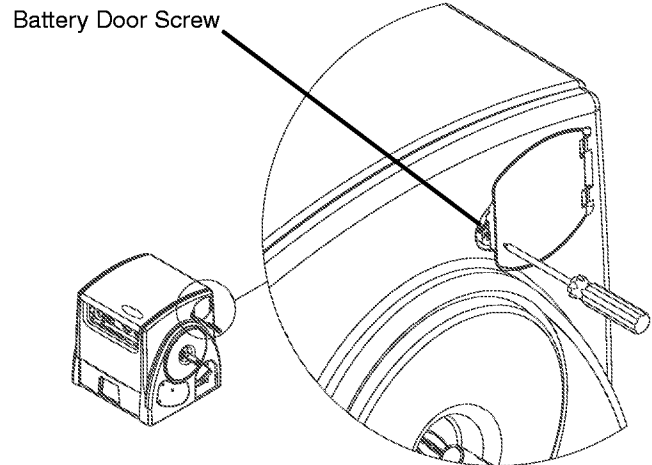
Battery posts, terminals and related accessories contain lead and lead compounds, chemicals known to the State of California to cause cancer and reproductive harm. Wash hands after handling.

 **WARNING:** When using electric tools, basic safety precautions should always be followed to reduce the risk of fire, electric shock, and personal injury, including the following:

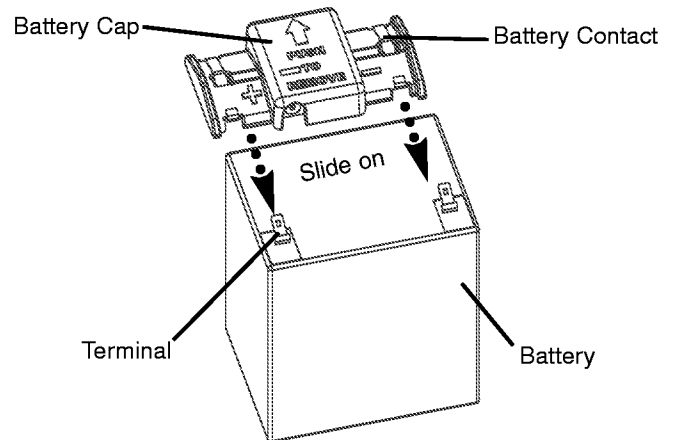
1. Do not incinerate the battery even if it is severely damaged or is completely worn out. The battery can explode in a fire. Check with local codes for possible special disposal instructions.
2. If leakage of liquid from the battery cell occurs, discontinue use immediately and dispose of properly.
3. Never attempt to open the battery for any reason. If the plastic housing of the battery breaks or cracks, immediately discontinue use and do not recharge. If the battery appears to be dusty or dirty, wipe it off with a soft cloth.
4. Do not charge battery in rain or in wet location.
5. Use only the following type and size of battery: 12 volt 4.2 - 5.0 Ah Sealed Lead Acid Battery.
6. Do not attempt to disassemble, remodel or destroy the battery, as it may cause battery leakage, fire, or bursting, and could also create sulfuric acid spills from the battery resulting in possible burns to personnel and damage to the immediate environment.
7. The battery contains diluted sulfuric acid, a very toxic substance. If the battery leaks and the liquid inside spills on the skin or clothing, immediately wash it off with plenty of clean water. If the liquid splashes into eyes, immediately flush the eyes with plenty of clean water and consult a doctor. Sulfuric acid in the eyes may cause loss of eyesight and acid on the skin will cause burns.
8. Exercise care in handling batteries in order not to short the battery with conducting materials such as rings, bracelets or keys. The battery or conductor may overheat and cause burns.
9. Charge battery using the specified charger and under the charging conditions as specified. Charging the battery under any other conditions may cause the battery to overheat, emit hydrogen gas, leak, ignite or burst.
10. If any leakage or deformation of the case of the battery is found, do not use the battery. If a battery which is irregular or sub-standard in any way continues to be used, leakage, fire or bursting of the battery may occur. Protect the battery from rain. If the terminals of the battery come into contact with water, they may corrode.
11. When this product is not used for 30 days or more, remove the battery from the hose reel, charge it fully and store in a place where humidity is low. Do not store the battery under direct sunlight or in high temperatures. Unsatisfactory storage conditions may cause deterioration in battery performance, shorten the service life and could cause corrosion on the terminals.

## SET UP INSTRUCTIONS:

1. Remove tape from battery door, remove battery door screw, open battery door, remove battery and battery cap from battery compartment.



2. Remove tape from battery contact on battery cap. If the battery cap has become loose from the battery in shipping, put it back into position by sliding battery cap over terminals to secure to battery.

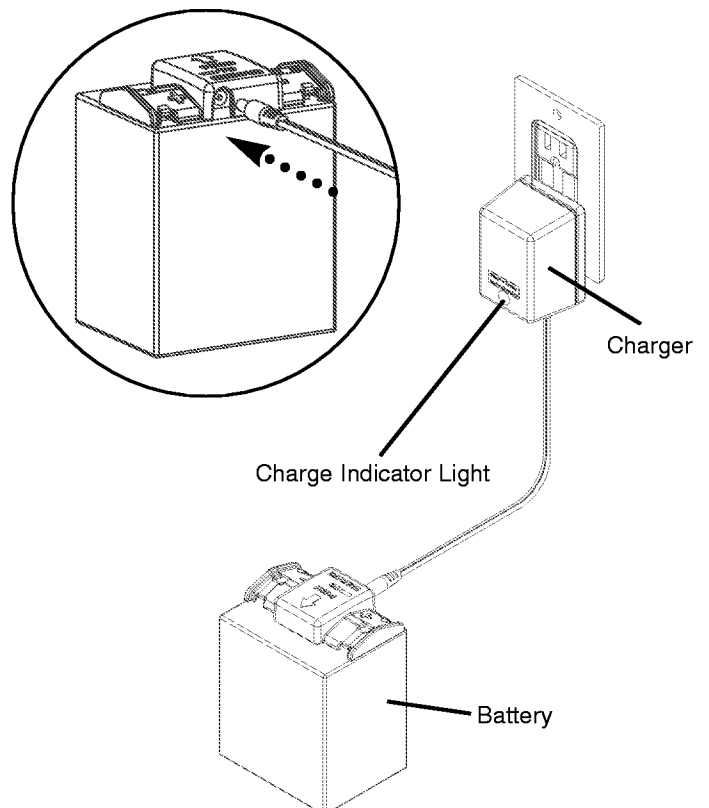


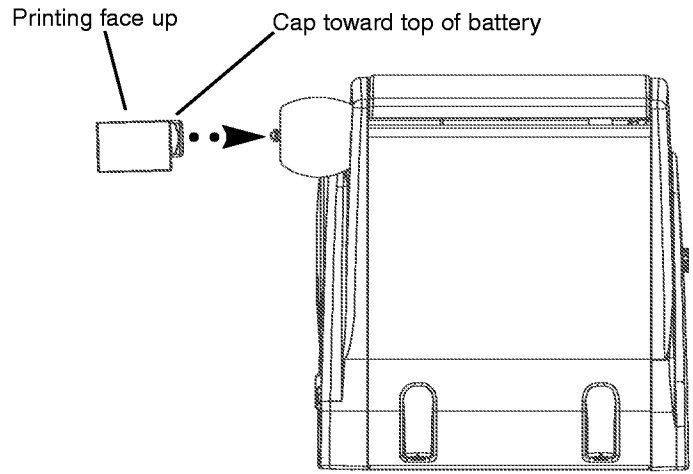
3. You must charge battery prior to first use.

Charge battery 12 - 14 hours. Battery should be charged indoors with charger unit provided. Plug charger into standard 120 Volt, 60Hz outlet. Charging will begin immediately.

When you begin charging the battery, the charge indicator light will be red. As the battery is charged 85%, the light will turn orange. When the battery is completely charged, the light will turn green. Always charge battery to the green light position.

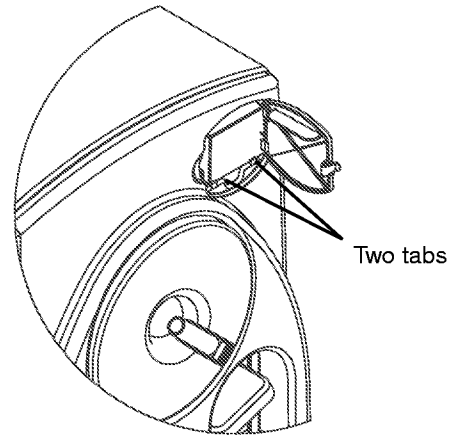
Red Light = Battery charging  
Orange Light = Battery 85% charged  
Green Light = Battery fully charged



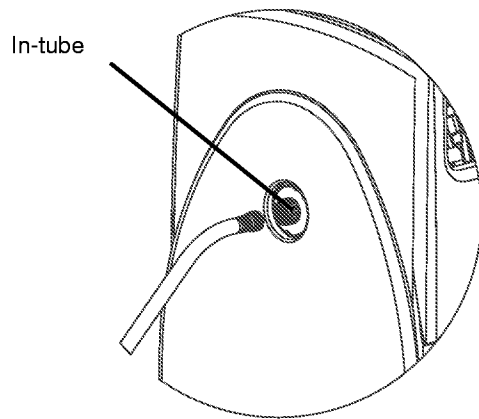


4. Open battery door cover and insert the battery (with cap) into the unit, locating battery over and behind the two tabs. Insert the battery with the printing on the battery facing up.

Optional: The Screw removed from battery door can either be discarded or replaced. Unit will function with or without battery door screw.

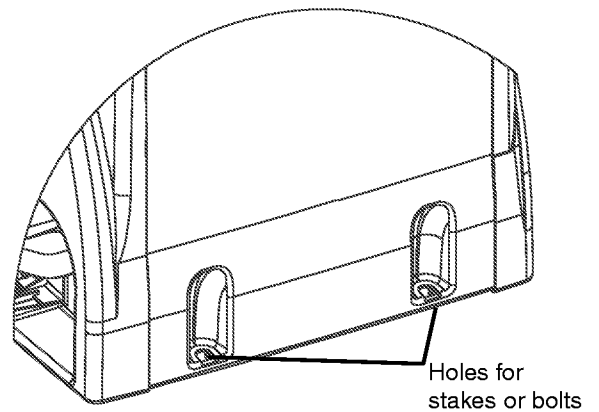


5. To connect leader hose, remove leader hose from reel assembly by unscrewing brass connectors. Thread male end of leader hose into in-tube. Thread female end of leader hose onto faucet.



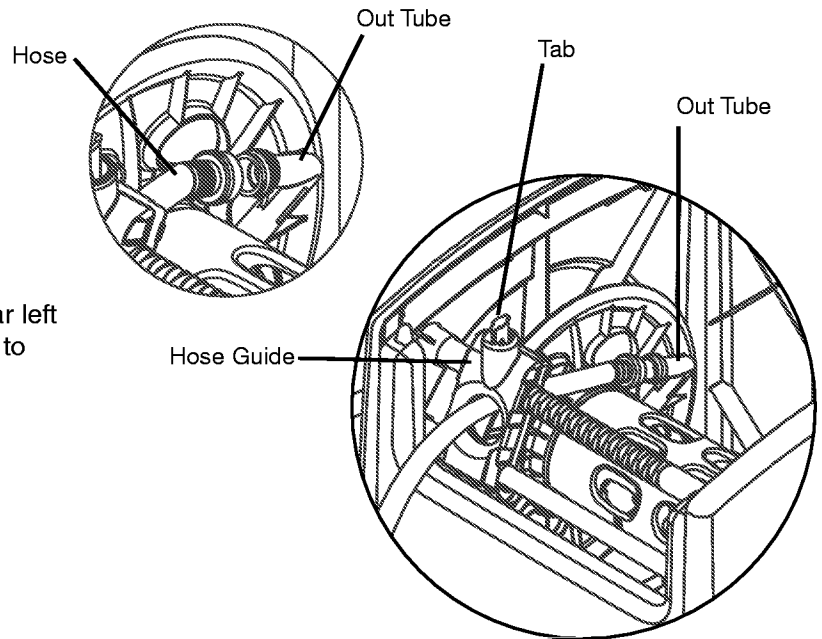
6. Stake hose reel to ground.

For best results, use holes in back panel to stake reel to ground or bolt to deck.

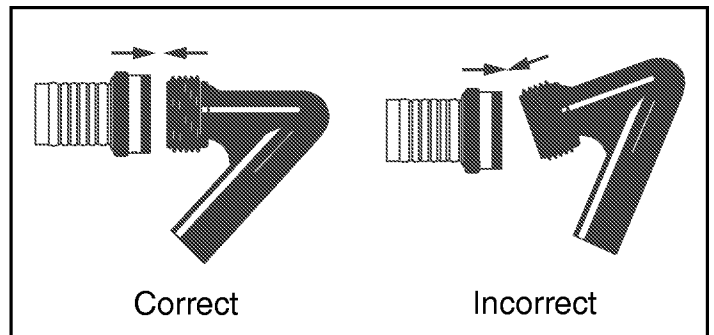


### 7. Attach Garden Hose

Lift and twist tab on hose guide and move it to the far left position. Guide hose through hose guide and attach to out-tube. Twist and release tab on hose guide to re-engage tracker on tracker bar.



8. When attaching the garden hose to the hose reel out-tube, be sure to attach correctly. Cross-threading could cause permanent damage.

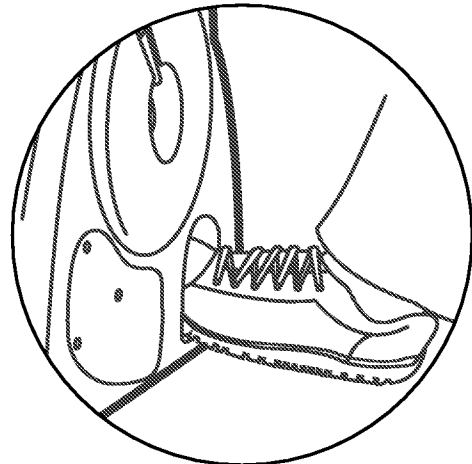


### 9. Wind or Rewind Hose

Turn water off. When winding hose, Suncoast recommends that you bring end of hose back to the front of the hose reel and take the hose accessory off the hose.

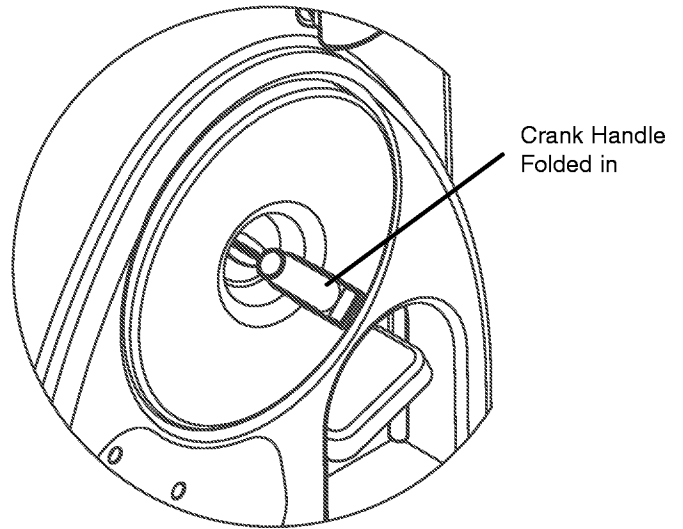
**Lid must be closed for the motor to run.**

Wearing shoes, press foot onto pedal to activate rewinding. Foot pedal must be pushed all the way down to activate the belt. Remove foot from pedal when approximately 3' of hose remains outside the reel. This will prevent damage caused by the hose hitting inside the unit.



### 10. Unwind Hose

To unwind hose, pull garden hose straight out from the hose reel. Pull gently as you near the end of the hose.

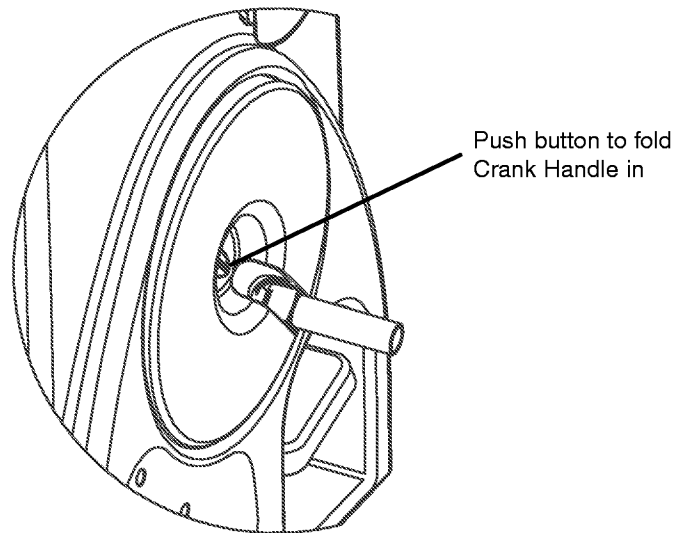


### 11. Manual Crank for Low-Battery Situations

If your battery is too low to rewind the hose, recharge it at once. See charging instructions on page 3.

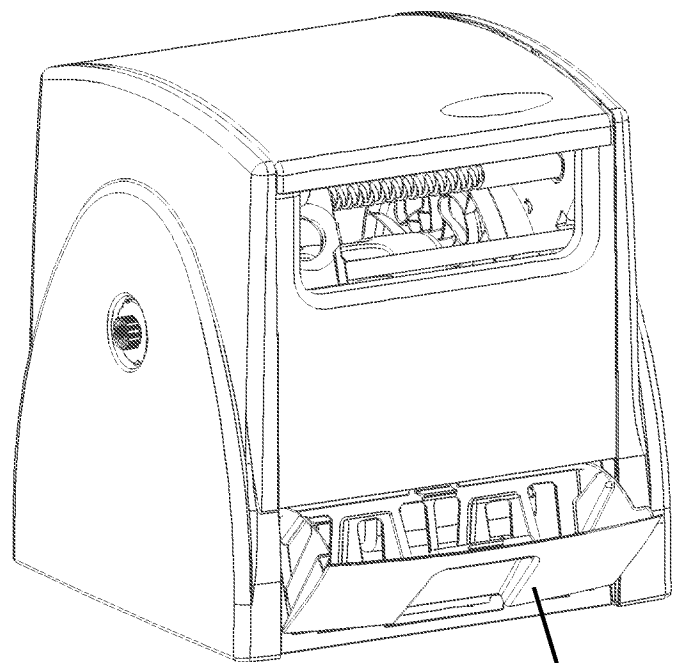
Flip out crank handle on manual crank and wind in hose manually.

Push button to fold handle back in. Always fold crank handle in when using battery power.



---

### 12. Storage Bin holds small watering accessories. Pull to open.



Pull to open storage bin

---

## IMPORTANT USE INSTRUCTIONS

- 1) If freezing may occur, remove hose from faucet and drain water out of hose and reel. Freezing of trapped water may cause damage to reel, hose or pipes.
- 2) Store indoors during colder months. Check in-tube and out-tube connections prior to first use each spring.
- 3) When winding your hose after use, drain as much water out of the hose as possible. This will prevent extra stress on the hose reel (from the weight of the water) that could cause permanent damage.
- 4) Avoid spraying water inside the hose reel. Be sure all hose connections are tightly secured. If the battery gets wet, dry it off as quickly as possible.
- 5) It is best for this unit to be stored and used in a shady area.
- 6) For best use, Suncast recommends using 5/8" rubber/vinyl hose. Heavier hose will cause the motor to run harder and create the need for more frequent recharging.
- 7) The lid must be closed for the motor to run.
- 8) Do not use in extreme temperatures.
- 9) Wear shoes while operating.
- 10) Use only with supplied battery or equivalent.

## CIRCUIT BREAKER FEATURE

This hose reel is protected from overloading on the motor by a circuit breaker. If the loading on the unit causes too much current to draw on the motor, a circuit breaker will trip to protect the motor, wiring, switches and battery from damage.

What might cause overloading on the motor?

- Hose getting caught in landscaping while rewinding back into the reel
- Extremely heavy hose, especially if filled with water
- A quick spike in power consumption
- A prolonged increase in power use

If the circuit breaker trips during use, the unit will shut off for about 30 seconds. After this short waiting period, the unit will reset itself and you may begin normal use.

In warmer temperatures, the 30 second delay may be increased slightly. In cooler temperatures, the unit will reset slightly quicker.

## **TROUBLE SHOOTING**

### **If battery does not charge**

- When the charger is plugged into the wall, the red light will indicate that it is charging. If your light does not come on, your battery is not charging. Adjust the plugs to be sure it is securely inserted. If nothing happens, contact Suncast.
- Check power to outlet.
- As your battery charges, the light will turn orange when it is 85% charged and green when it is 100% charged.
- If battery cap does not stay in position, the battery terminals may be bent. If so, contact Suncast at 1-800-444-3310.

### **If you press on the foot pedal and nothing happens**

- Be sure the lid is closed. The lid must be closed for the hose reel to run.
- Check to be sure the battery is charged. A green light on the charger will indicate that the battery is fully charged.
- Be sure that the battery is located in the unit correctly with the plug on the battery cap oriented in the "up" position.
- Check to see that there is no dirt on the battery contacts or on the battery cap contacts.
- Check to see that the wires are not broken and are attached properly.
- Check to see that the hose is not binding on anything inside or outside the hose reel.
- Check belt. Remove belt cover to check switch (see illustration on page 10 for switch location). Be sure wires are connected to the switch.
- Check to see that wires are attached to lid switch.
- Check motor wire connection. Remove motor cover and secure quick connect terminals (see illustration on next page).

### **If motor runs, but hose does not recoil**

- Push foot pedal all the way down.
- Replace belt.

### **Unit stops because hose gets caught in landscaping**

- Eliminate catching by taking the hose end accessory off the hose. After 30 seconds, the circuit breaker will reset and you may continue use.

### **Unit falls over when you pull out hose**

- Stake to ground or bolt to deck using holes in back panel.

### **If the hose leaks**

- Remove crossbraces and be sure In-tube and Out-tubes are snapped together.
- If unit has been outside in freezing temperatures, water may have frozen inside the In-tube causing cracking. Replace In-tube and Out-tube by contacting Suncast at 800-846-2345 or online at [www.suncast.com](http://www.suncast.com).
- Check the in-tube and out-tube connection regularly to be sure the watertight connection is working properly. If connection appears loose, use the palm of your left hand to hold in-tube in correct position at side of unit, then place the palm of your right hand against base of out-tube and push the parts together until you hear the snap.

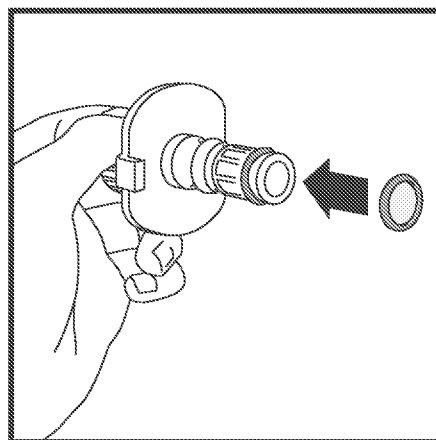
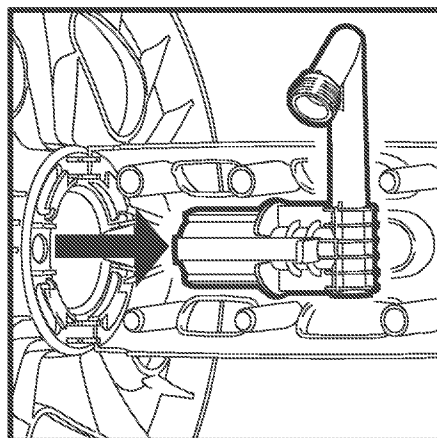


## SERVICING YOUR SUNCAST HOSE REEL

Store indoors in winter, Drain hose reel prior to freezing temperatures. Freezing of trapped water may cause damage to hose reel, hose and pipes. Periodic replacement of in tube o-rings may be necessary to maintain a watertight seal with out-tube.

To replace O-rings

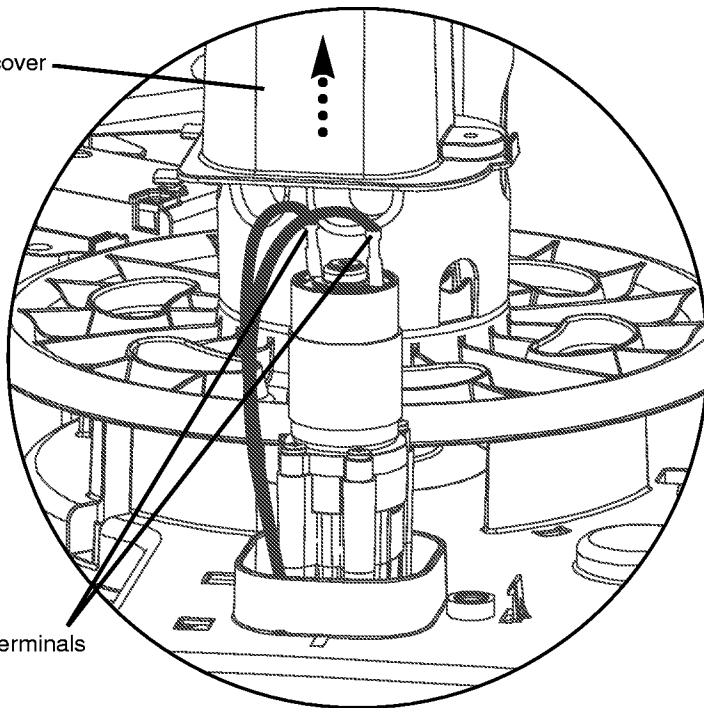
1. Use screwdriver to separate crossbraces at slot and lift cross-brace firmly to disengage snap.
2. To service in-tube, grasp white release tabs on out-tube and pull. Remove in-tube to replace o-rings.
3. Coat new o-rings with silicone-based lubricant.
4. To reconnect, slip out-tube over in-tube until it locks with a click.
5. Replace reel crossbrace.



### Motor wire connection check.

Remove motor cover and secure quick connect terminals.

Motor cover

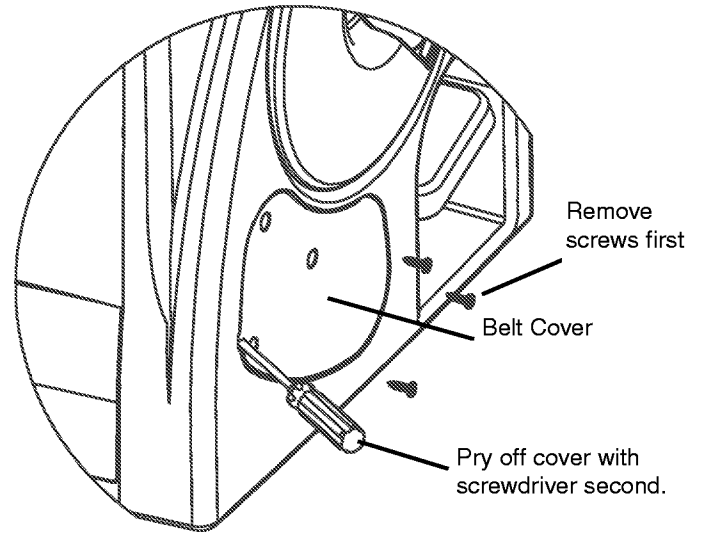


Secure quick connect terminals

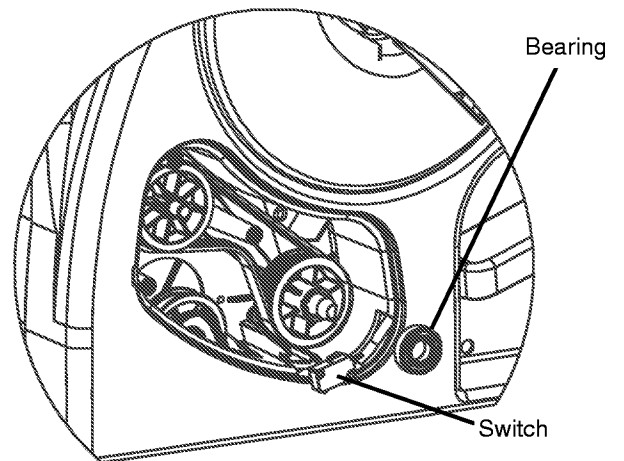
## BELT REPLACEMENT

To Disassemble:

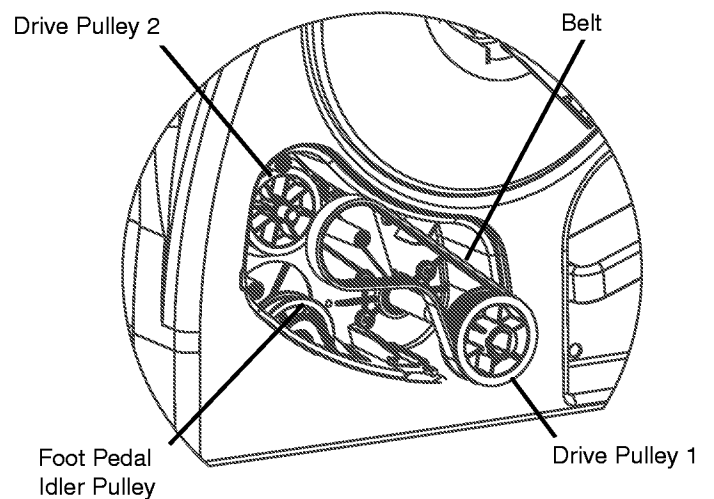
1. Remove battery from unit.
2. Remove three screws that hold the belt cover on.
3. Using flat head screwdriver, pry belt cover off of housing.



4. Remove Switch.
5. Remove Bearing.



6. Remove Belt, and Drive Pulley 1.



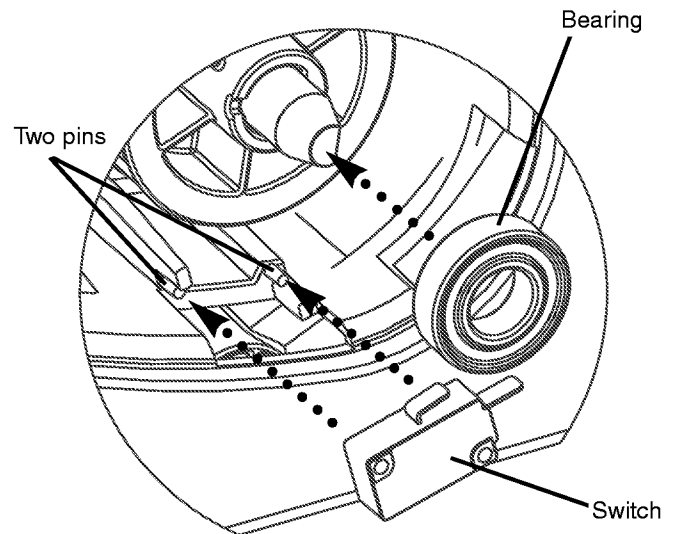
To Reassemble:

1. Put new Belt on Drive Pulley 1 and put Drive Pulley 1 back on Drive Shaft. While doing this also slip the Belt into place around the Foot Pedal Idler Pulley and around Drive Pulley 2.

2. Replace the Bearing.

3. Replace the Switch, making sure to locate it properly on the two pins and ensuring the wires are still connected. If wires become disconnected, reattach them.

4. Replace the Belt Cover and three Screws.



## 2 YEAR WARRANTY

Suncast® Corporation, 701 North Kirk Road, Batavia, Illinois 60510 (Manufacturer) warrants to the original purchaser only that the enclosed product is free from material and workmanship defects under normal household use for two (2) years from date of purchase. Defective product or part must be returned, freight prepaid, to the manufacturer at the above address (Attention: Parts Department) along with proof of purchase. Upon receipt of the aforesaid, the defective product or part will be repaired or replaced at the option of the Manufacturer without charge to the original purchaser and returned to the customer freight collect.

This limited warranty does not apply to damage resulting from accident, neglect, misuse, commercial use, alteration, operation not in accordance with instruction or repairs made or attempted by unauthorized persons.

This limited warranty applies only to the product enclosed and does not apply to the battery, battery charger or belt.

THE MANUFACTURER'S LIABILITY HEREUNDER IS LIMITED SOLELY TO THE REPAIR OR REPLACEMENT OF THE DEFECTIVE PRODUCT OR PART AND THE MANUFACTURER SHALL IN NO EVENT BE LIABLE FOR ANY INCIDENTAL OR CONSEQUENTIAL DAMAGES WHICH MAY RESULT FROM ANT DEFECT IN MATERIAL OR WORKMANSHIP OR FROM THE BREACH OF ANY EXPRESS OR IMPLIED WARRANTY.

Some states do not allow the exclusion or limitation of incidental or consequential damages, or a limitation of how long an implied warranty lasts, so the above limitations may not apply to you. This warranty give you specific legal rights, and you may have other rights which may vary from state to state.

Please provide this information.

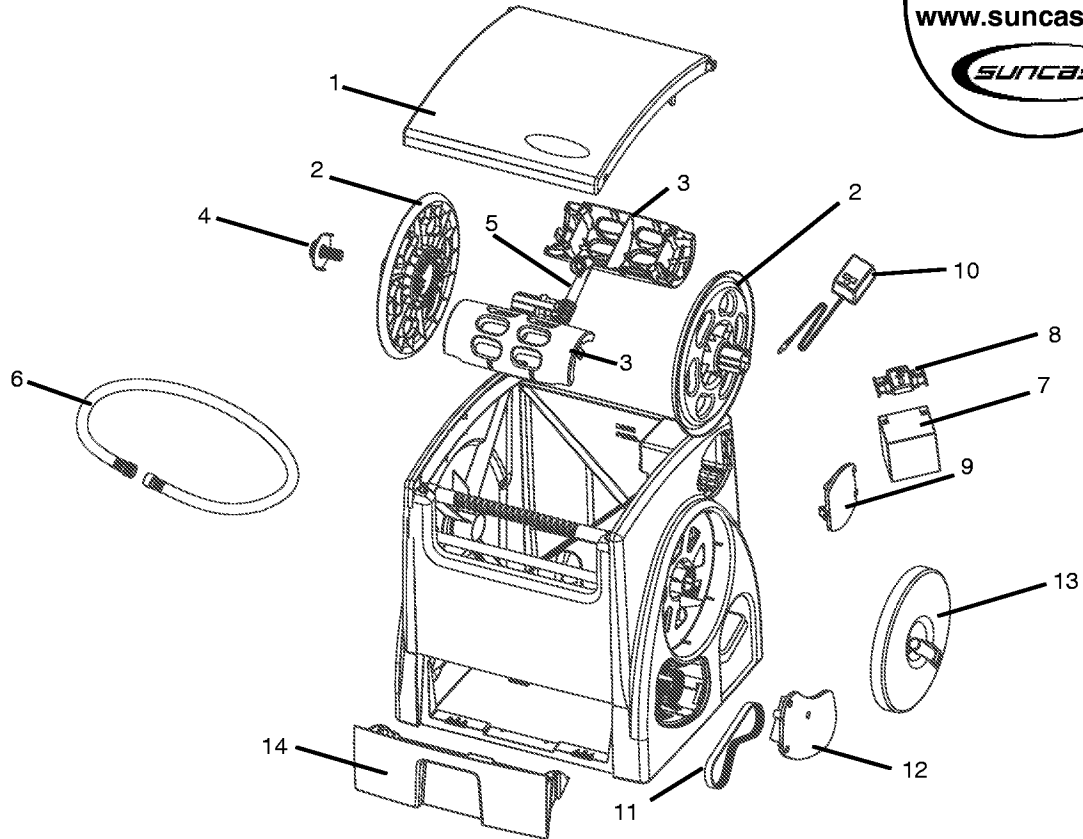
Name \_\_\_\_\_  
 Street \_\_\_\_\_ City \_\_\_\_\_  
 State \_\_\_\_\_ Zip Code \_\_\_\_\_  
 Phone \_\_\_\_\_ Date \_\_\_\_\_

Place of Purchase
Quality Control number (From Owner's Manual)

**PW100**

**Ordering Instructions**

1. Call Suncast for pricing information call 800-846-2345 or 630-879-2050. Monday - Friday 8:00 am - 4:30 pm Central Time. (Except holidays) Or see [www.suncast.com](http://www.suncast.com)
2. Completely fill out address. Print Clearly.
3. Add Shipping and Handling to Total Cost. (Illinois residents add 6.75% sales tax.)
4. Send complete form with check or money order to Suncast Corp.
5. No C.O.D. Orders will be accepted.



Index No.	Part Name	Part No	Cost Each	Qty. Ord.	Total Cost
1	LID (1)	010130617			
2	REEL SIDES (2)	010110018			
3	CROSS BRACES (2)	010110118			
4	IN-TUBE (1)	0460827			
5	OUT-TUBE (1)	0461261A			
6	LEADER HOSE (1)	0520105			
7	BATTERY (1)	0510295			
8	BATTERY CAP (1)	0440382A			
9	BATTERY COVER (1)	010131618A			
10	BATTERY CHARGER (1)	0510297			
11	BELT (1)	0510289			
12	BELT COVER (1)	010131718			
13	CRANK ASSEMBLY (1)	0461878			
14	BIN (1)	010131118			

SUB TOTAL:  
 IL RESIDENTS ADD 6.75%  
 SHIPPING & HANDLING  
 TOTAL:

\_\_\_\_\_ CHECK ENCLOSED      \_\_\_\_\_ MONEY ORDER ENCLOSED