



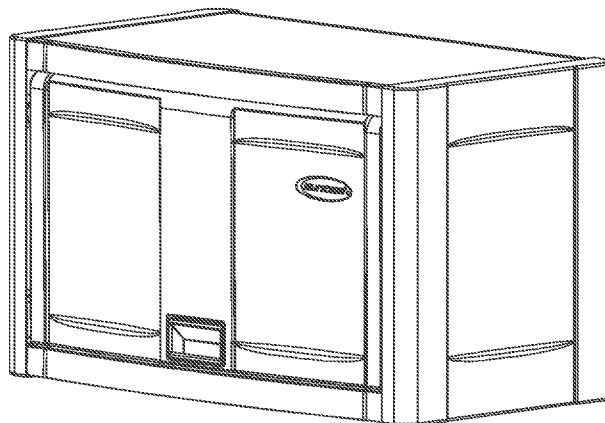
OWNER'S MANUAL

No Tools Required Assembly

C1500 Storage Trends Utility Wall Cabinet

WARNING

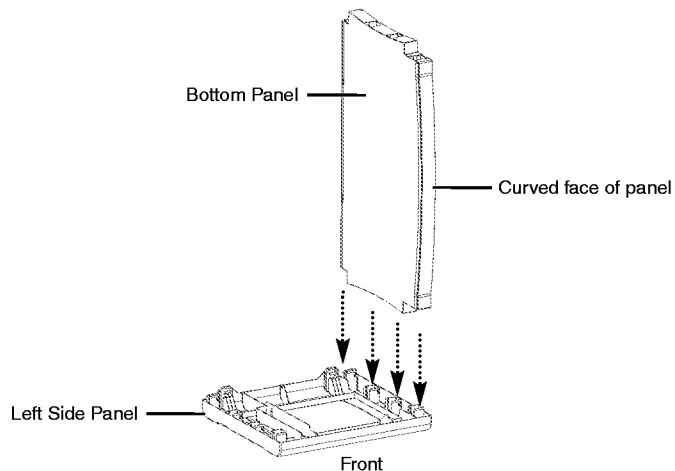
- Not intended for storage of flammable or caustic chemicals.
- Not intended for usage by children.
- This product may become susceptible to impact damage in freezing temperatures.
- Do not store near excessive heat.
- Mounting to wall studs is recommended.
- Mount flush and level to wall.
- Maximum weight capacity: 100 lbs total when 6 mounting points are used.
- Maximum weight capacity: 25 lbs total when 2 mounting points are used.



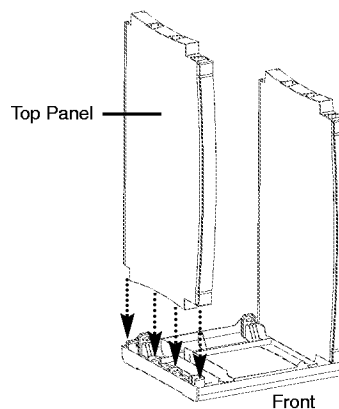
Read instructions prior to assembly. This product contains parts that can be damaged if incorrectly assembled.

Assembly Instructions

1. Place Left Side Panel on flat surface, ribbed side up. With the curved face of the Bottom Panel facing the front of unit align, holes in side of Bottom Panel with corresponding tabs on Left Side Panel and apply pressure to snap in place.



2. With the curved face of the Top Panel facing the front of unit align holes in side of Top Panel with corresponding tabs on Left Side Panel and apply pressure to snap in place.

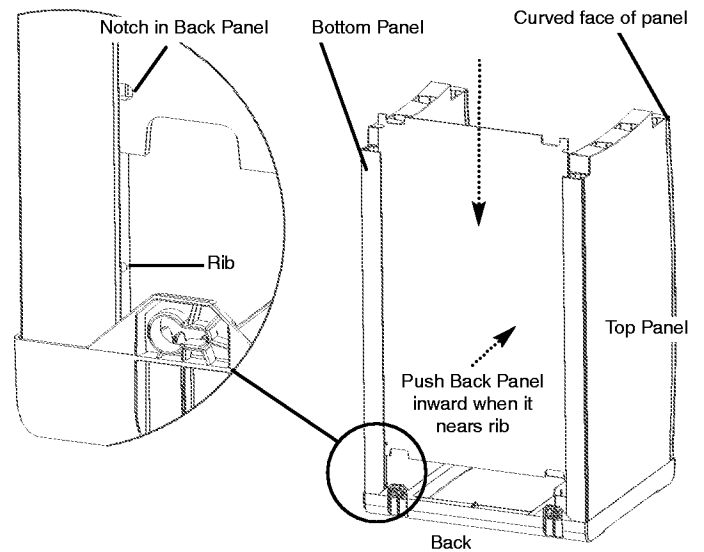


3. Align Back Panel with slot tracks that run along the back edge of both the Bottom Panel and the Top Panel.

Top Panel and Bottom Panel may have to be pushed apart from each other slightly in order to insert Back Panel.

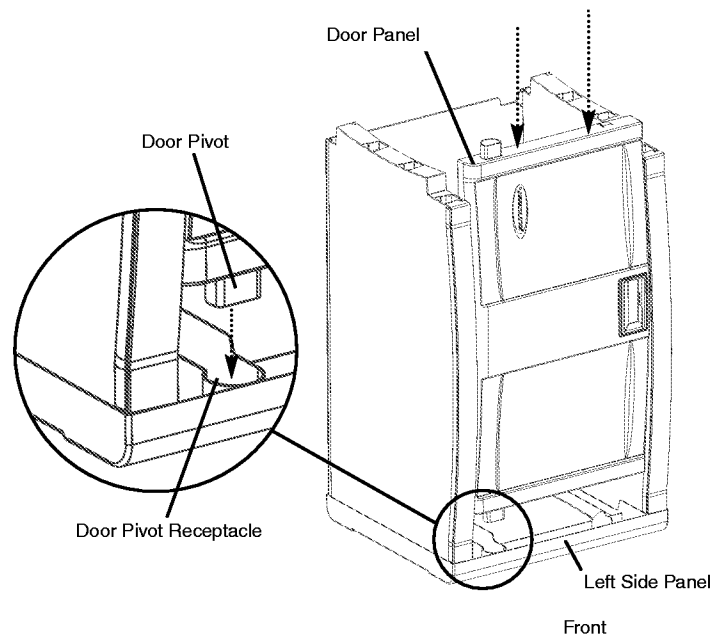
Begin to slide Back Panel into slot tracks.

4. As Back Panel nears Left Side Panel the Back Panel will need to be pushed inward slightly to allow notch in each top corner of Back Panel to be captured by the two ribs in Top Panel.



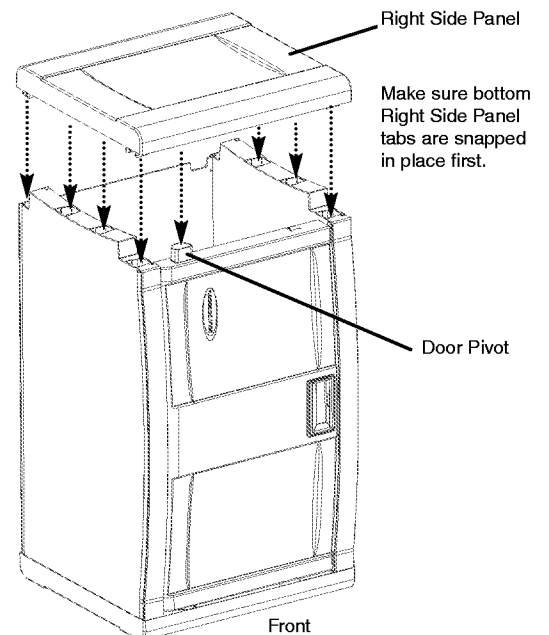
5. Align Door Panel Door Pivot with Door Pivot Receptacle in Left Side Panel and insert Door Panel.

Hold Door Panel in place in preparation for Step 6.



6. Align Bottom Right Side Panel tabs with corresponding holes in Bottom Panel. Apply pressure to snap bottom of Side Panel in place.

Align Top Right Side Panel tabs with corresponding holes in Top Panel. Make sure to capture Right Side Door Panel Door Pivot in the Right Side Panel Door Pivot Receptacle. Apply pressure to snap in place.



IMPORTANT!

- For a 25 lbs. load capacity use steps 7 and 8 to mount Wall Cabinet.
- For a 100 lbs. load capacity use steps 7 through 10.

NOTE: If you own a Suncast Tall Cabinet C7200 and want to mount a Suncast Wall Cabinet C1500 so that the tops are even, measure 69 3/4" up from floor to drill pilot holes in wall studs to mount the Metal Mounting Brackets.

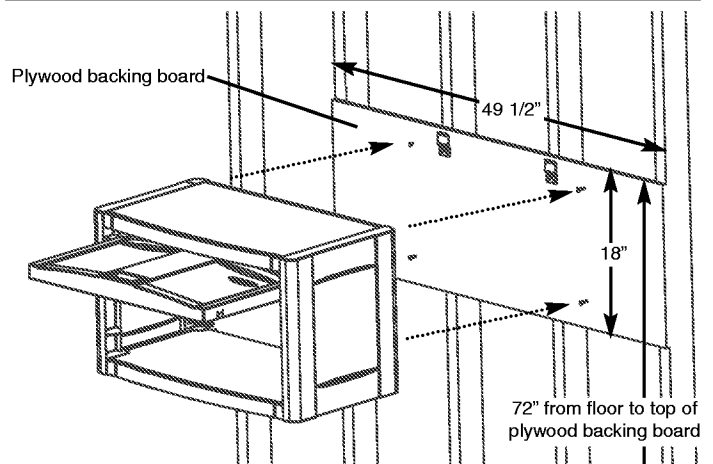
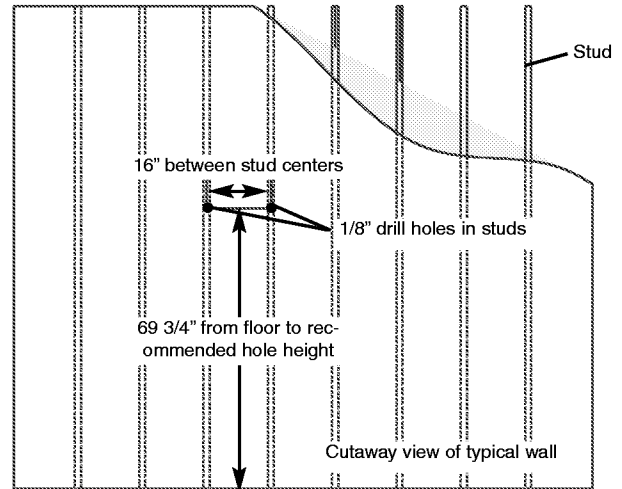
Mounting of cabinet to studs is recommended.

NOTE: Exercise caution when drilling into wall board to avoid damage to electrical wires, pipe, or other fixtures. If in doubt, contact a qualified contractor to assist with installation before drilling into wall.

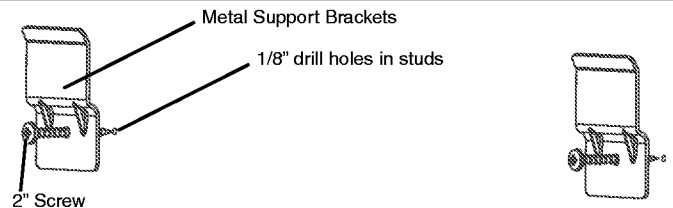
If it is not possible to mount to wall studs, Wall Anchors maybe used for mounting Metal Mounting Brackets. Two extra Wall Anchors are included for this purpose. Follow steps 9 and 10 for installation of Wall Anchors.

If no wall board is present, mount 49 1/2" x 18" plywood backing board to studs for 100 lbs. load capacity.

7. Find two studs that are next to each other and 16" apart on center. Drill one 1/8" hole in center each of the two studs 69 3/4" up from floor.



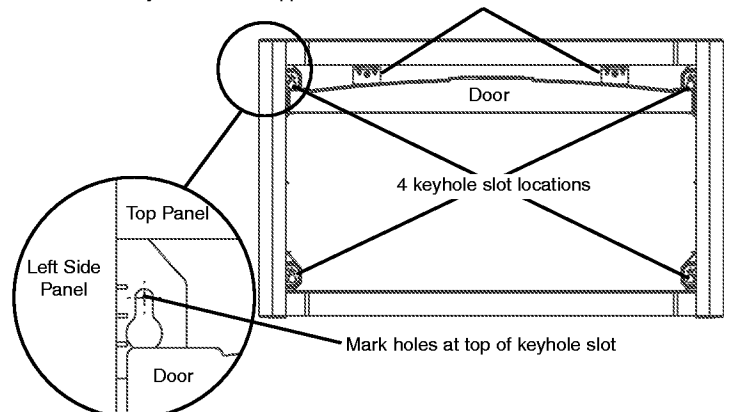
8. Metal Mounting Brackets are screwed into pilot holes using provided 2" screws



9. With Door open, temporarily hang cabinet on Metal Mounting Brackets utilizing slots provided below back of Top Shelf. Using the cabinet's four keyhole slots as a template, mark the four mounting holes locations at the top of the keyhole slots.

Remove cabinet from wall and drill 1/4" diameter holes at the four marked locations. Make sure to penetrate the wall board when drilling.

Metal Support Brackets will not be seen from inside cabinet - this view is for location assistance only - the Metal Support Brackets are located behind the Back Panel.



10. Push Wall Anchors into 1/4" diameter holes, making sure to push until Wall Anchor Heads are against wall. Screw two of the provided screws into the bottom Wall Anchors only.

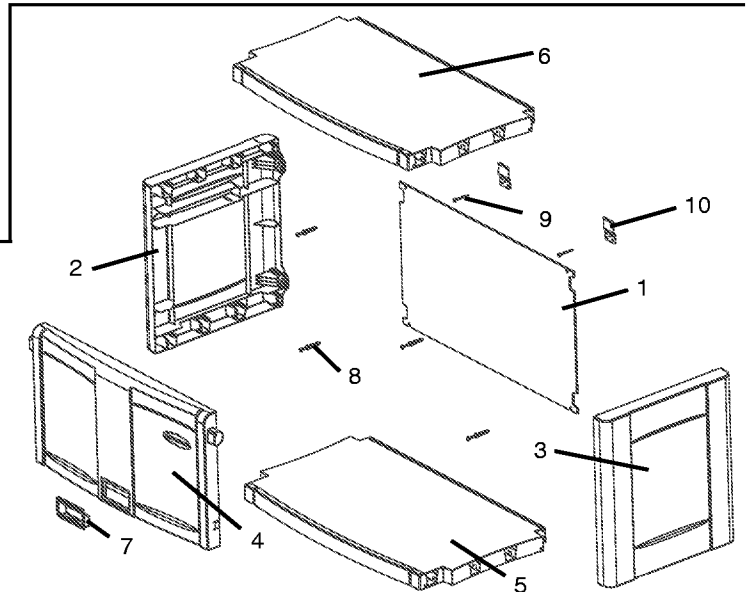
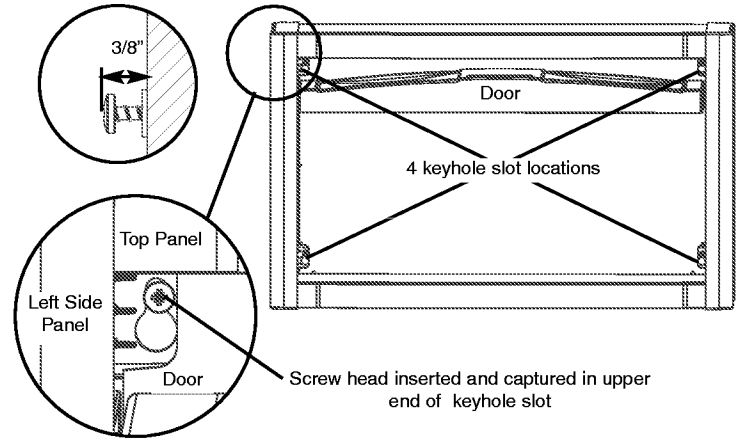
Do not screw in all the way, leave 3/8" between screw head and wall

Lift cabinet into place on Metal Mounting Brackets and insert bottom two screw heads into lower, circular end of keyhole slots. Lower cabinet to capture screw heads in the upper end of keyhole and tighten screws.

Do not overtighten as damage to product may occur.

With Cabinet in place insert top two screws into Wall Anchors through the upper end of keyhole slot and tighten screws.

Do not overtighten as damage to product may occur.



Please provide this information.

Name _____
 Street _____ City _____
 State _____ Zip Code _____
 Phone _____ Date _____

Place of Purchase:

Quality Control No.

C1500

Ordering Instructions

1. Call Suncast for pricing information call 800-846-2345 or 630-879-2050. Monday - Friday 8:00 am - 4:30 pm Central Time. (Except holidays) Or see www.suncast.com
2. Completely fill out address. Print Clearly.
3. Add Shipping and Handling to Total Cost. (Illinois residents add 6.75% sales tax.)
4. Send complete form with check or money order to Suncast Corp.
5. No C.O.D. Orders will be accepted.

Index No.	Part Name	Part No	Cost Each	Qty. Ord.	Total Cost
1	BACK PANEL (1)	0510370			
2	LEFT SIDE PANEL (1)	010146018			
3	RIGHT SIDE PANEL (1)	010145918			
4	DOOR PANEL (1)	010146118			
5	BOTTOM PANEL (1)	010146418			
6	TOP PANEL (1)	010146418			
7	DOOR HANDLE (1)	010097612			
8	WALL ANCHOR (4)	0240040			
9	SCREW (4)	0210111			
10	MOUNTING BRACKET (2)	0280231			
SUB TOTAL:					
IL RESIDENTS ADD 6.75% TAX:					
SHIPPING & HANDLING:					
<input type="checkbox"/> CHECK ENCLOSED <input type="checkbox"/> MONEY ORDER ENCLOSED					
TOTAL:					