

FLOOR KIT INSTRUCTIONS FOR 12x12 and 12x24 BUILDINGS

02-24-06

ACTUAL SIZE • 144" WIDE X 144" DEEP (12x12)
• 144" WIDE X 288" DEEP (12x24)

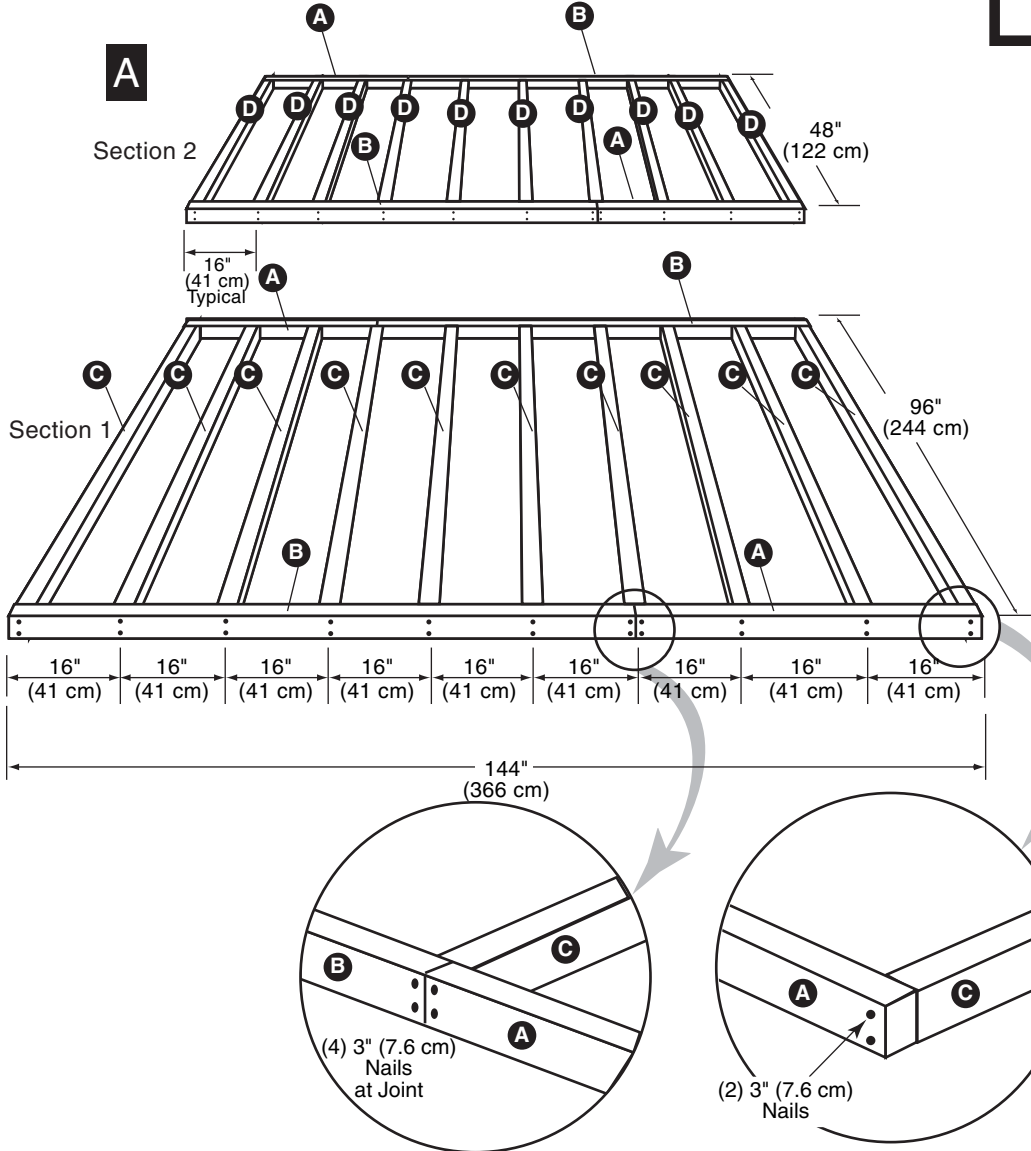
#16633

1-800-437-0784

This instruction may be different from the one specified in Building instruction.

Parts Needed:

- A** 4 - 2x4x48" Bond Boards
- B** 4 - 2x4x96" Bond Boards
- C** 10 - 2x4x93" Floor Joists
- D** 10 - 2x4x45" Floor Joists
- E** 3 - 96"x48"x5/8" Floor Panels
- F** 3 - 48"x47-7/8"x5/8" Floor Panel
- 2" and 3" Nails



NOTE: Part letters are not stamped on floor kits.

ASSEMBLY OF 144" X 142-1/8" FLOOR FRAME

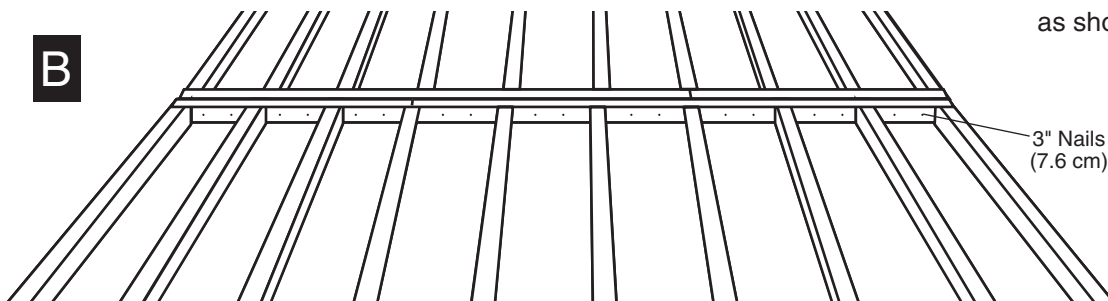
A: Section 1 - Position Bond Boards **A** & **B** and Floor Joists **C** as shown.

Using 3" nails, nail twice through each Bond Board **A** & **B** into each end of each Joist **C**, keeping pieces flush at top and ends, and maintain 16" spacing as shown. Where **A** & **B** join together use 4-3" nails.

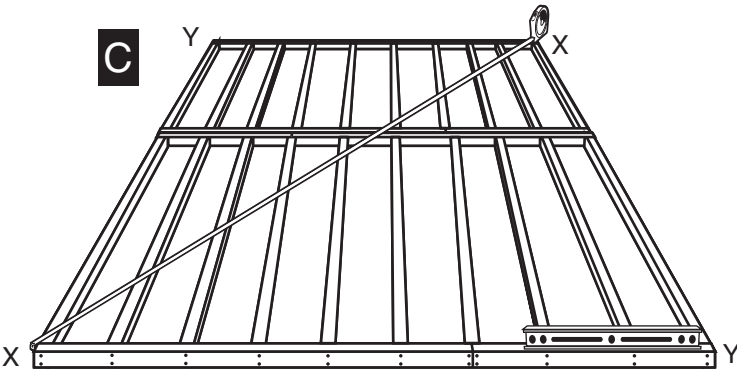
A: Section 2 - Position Bond Boards **A** & **B** and Floor Joists **D** as shown.

Using 3" nails, nail twice through each Bond Board **A** & **B** into each end of each Joist **D**, keeping pieces flush at top and ends, and maintain 16" spacing as shown. Where **A** & **B** join together use 4-3" nails.

B: Attach Section 1 and Section 2 together with (2) 3" nails between every joist as shown.

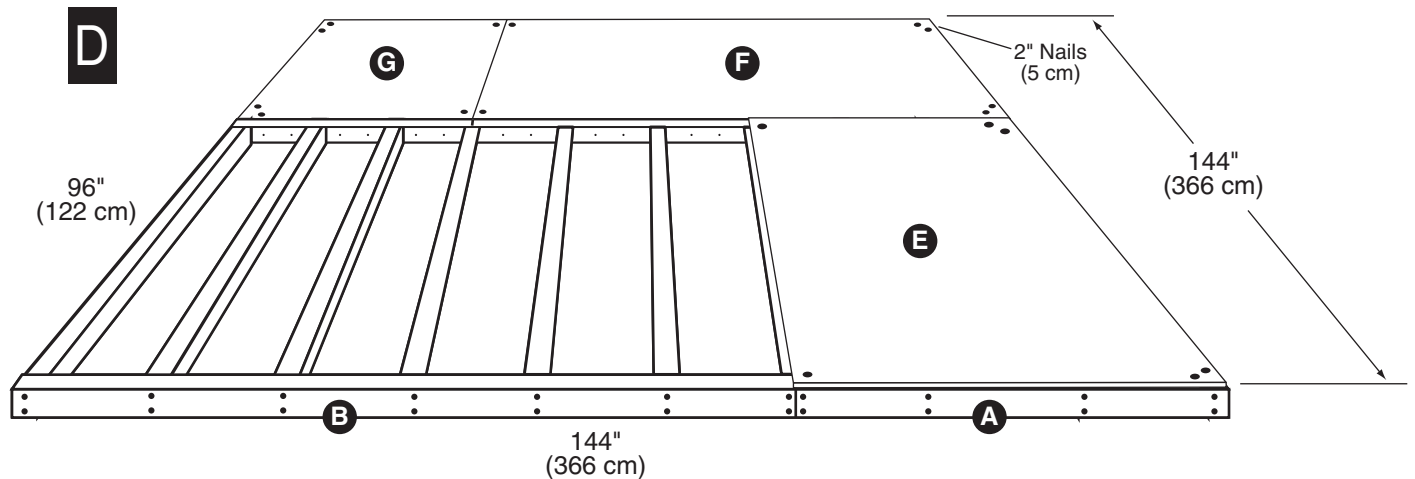


12X12 FLOOR KIT INSTRUCTIONS CONTINUED

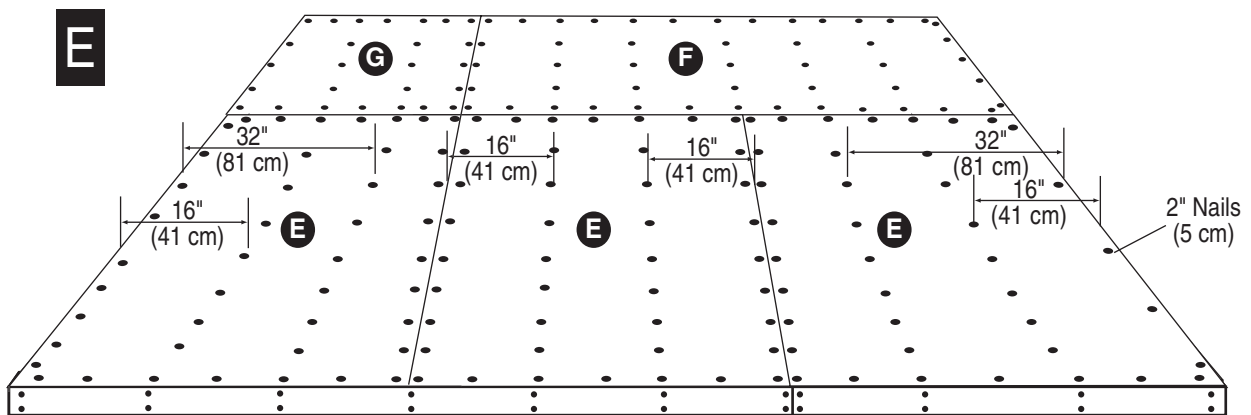


C: Completed Floor Frame should be positioned at building site, leveled, using shims between floor frame and ground before proceeding to Floor Panel Attachment.

Square frame by making corner-to-corner measurements (**X to X** and **Y to Y**) the same.



D: Position Floor Panel 48" x 96" **E** flush to the outside edges of Floor Frame. Position Floor Panel 46-1/8" x 96" **F** flush to the outside edges of Floor Frame. Position Floor Panel 46-1/8" x 48" **G** flush to the outside edges of Floor Frame. Secure panels with two 2" nails at outside corners and one 2" nail at other corners.



Nails every 12" (30 cm) through Floor Panels into all Floor Bond Boards and Floor Joists

E: Position middle Floor Panel 48" x 96" **E** flush against first panel and flush to edges of Floor Frame. Secure panel with one 2" nail at outside corners.

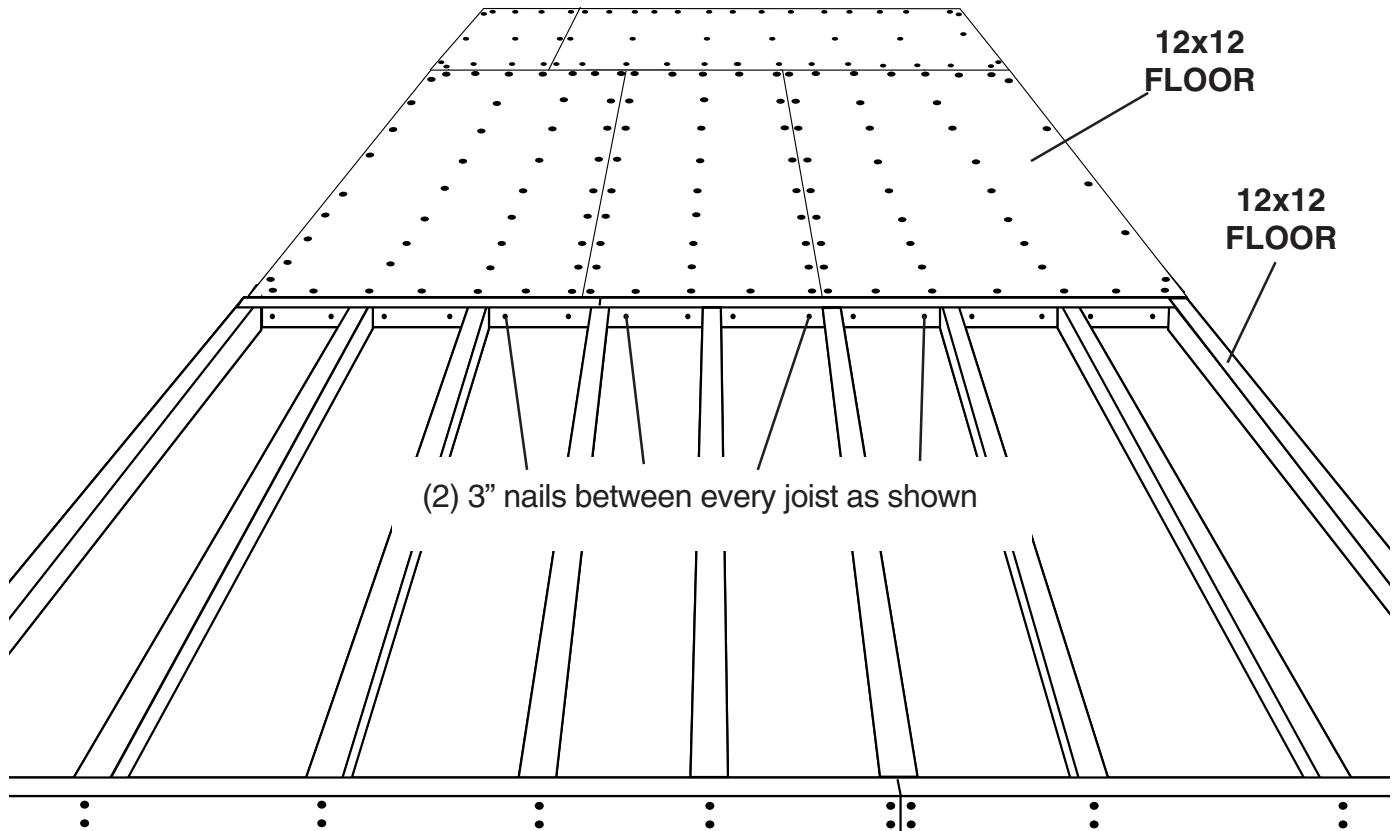
Position last outside Floor Panel 48" x 96" **E** flush to the outside edges of Floor Frame. Secure panels with two 2" nails at outside corners and one 2" nail at other corners.

Note: Mark a line on the Floor Panel over the center of each Floor Joist using a pencil and a piece of lumber from the kit (or use a chalk line) to make nailing easier.

With Floor Panels flush to outside edges of Floor Frame, nail with 2" nails every 12" through Floor Panels into all Floor Bond Boards and Floor Joists.

Your 12x12 Floor is now complete. If you need a 10x18 floor *see next page for details*. Check to be sure it is properly positioned and leveled to ground before beginning assembly of your Wooden Storage Building.

12x12 AND 12x24 FLOOR KIT INSTRUCTIONS (CONTINUED)



**FOR 12 x 24 FLOOR BUILD TWO 12 x 12 FLOORS,
ATTACH PRIOR TO INSTALLING FLOOR DECKING**

Your 12 x 24 Floor is now complete.
Check to be sure it is properly positioned and leveled to ground
before beginning assembly of your Wooden Storage Building.